

SMT HYBRID COUPLER

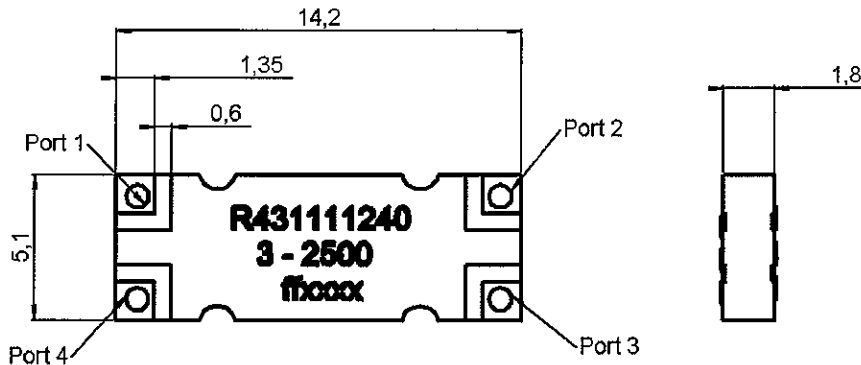
3DB / 2.3-2.7 GHZ

**R431.111.245**

Series : COUPLER

**R431.111.245** : R431.111.240 packaged in reel of 100 couplers

**R431.111.245W** : for unit order

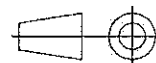
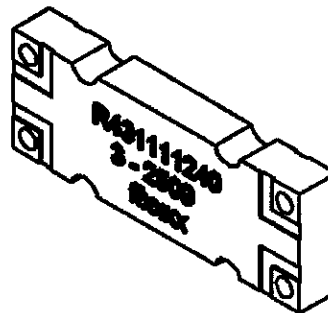


RF Port configuration

	Input	Isol.	-90°	0
Port	1	2	3	4
	2	1	4	3
	3	4	1	2
	4	3	2	1



Scale 1:1



All dimensions are in mm.

Issue : 0450 C

In the effort to improve our products, we reserve the right to make changes judged to be necessary.



**RADIALL**®

**SMT HYBRID COUPLER**

**3DB / 2.3-2.7 GHZ**

**R431.111.245**

Series : **COUPLER**

**ELECTRICAL CHARACTERISTICS**

	Specified band	Extended band
Frequency (GHz)	2.3 - 2.7	2 - 3
V.S.W.R	≤ 1.18	1.23
Impedance (Ω)	50	
Nominal coupling (dB)	3	3
Amplitude balance (dB)	± 0.2	0.4
Phase balance : 90 (°)	± 3	4
Isolation (dB)	≥ 22	19
Insertion loss (dB)	≤ 0.2	0.2
Average power at 25°C (W)	60	60

**MECHANICAL CHARACTERISTICS**

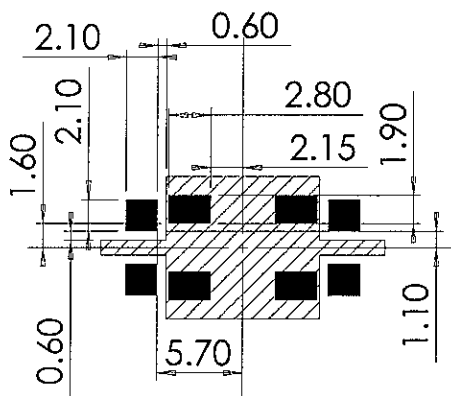
Mounting	Surface Mount Technology
RF Port finish	Chemical Sn
Weight	<u>1.000 g</u>

**ENVIRONMENTAL**

Operating temperature range	-55 / +85	°C
Storage temperature range	-55 / +85	°C

**SPECIFICATION**

**SOLDERING PATTERN**



Issue : 0450 C

In the effort to improve our products, we reserve the right to make changes judged to be necessary.



**RADIALL®**

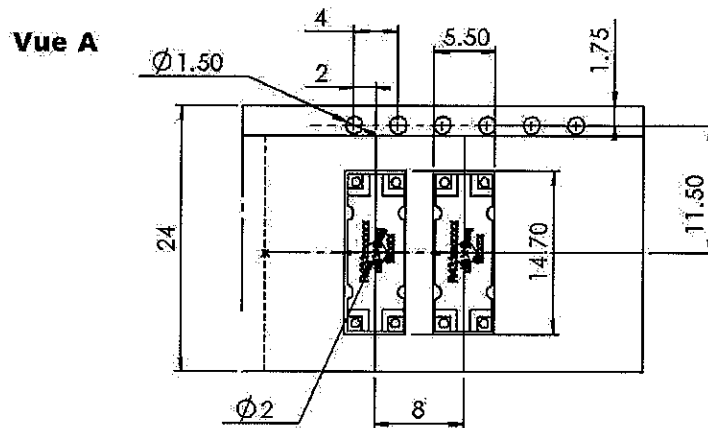
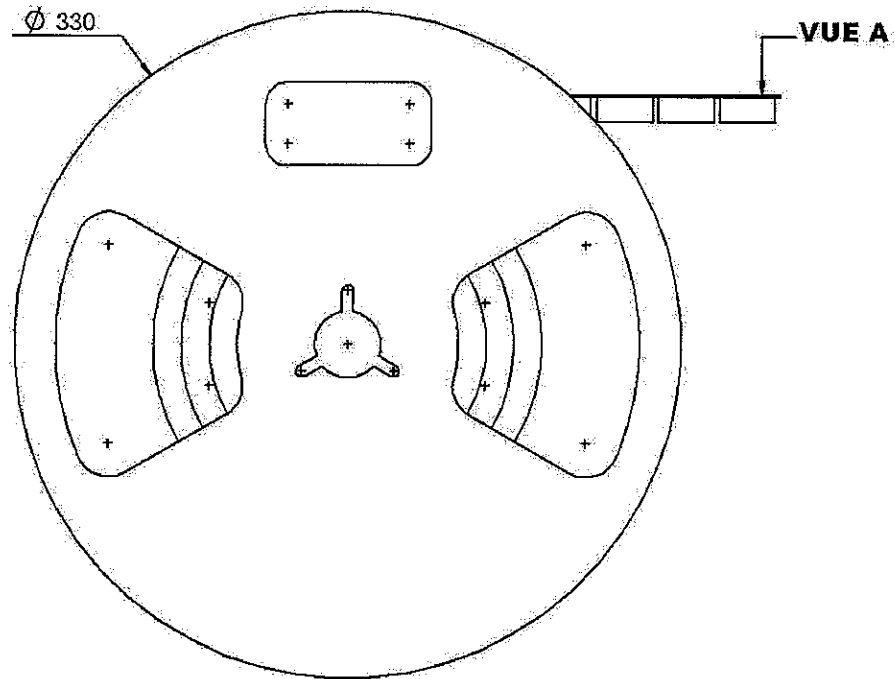
SMT HYBRID COUPLER

3DB / 2.3-2.7 GHZ

R431.111.245

Series : COUPLER

PACKAGING



Issue : 0450 C

In the effort to improve our products, we reserve the right to make changes judged to be necessary.



**RADIALL**®

SMT HYBRID COUPLER

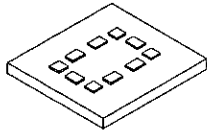
3DB / 2.3-2.7 GHZ

R431.111.245

Series : COUPLER

SOLDERING GUIDELINES

① Solder cream deposition :



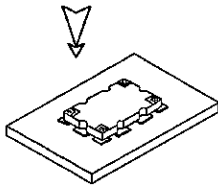
RADIALL recommends using a solder cream Sn 63 - Pb 35 - Ag 2 type "no clean - low residue" ( 50 % solid residue of flux quantity ) that will permit the elimination of the cleaning operation step after soldering . When using a conventional solder cream with high level of flux solid residue , it is important to incorporate a good cleaning operation step in the fifteen minutes after soldering .

The substrate must have Sn 60 - Pb 40 protection . Please optically verify that the edges of the zones are clean , without contaminates and that the PCB zoned areas have not oxydated .

Solder cream may be applied on the board with screen printing or dispenser techniques . For either method , the paste solder must be coated to appropriate thickness and shapes to achieve good solder wetting and adequate insulation .

The design of the mounting pads and the stencilling area are given in the applicable note , for a thickness of the silk-screen printing of 150 µm .

② Placement of the coupler :

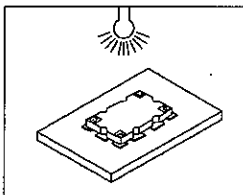


For small , lightweight components such as chip components , a self - alignment effect can be expected if small placement errors exist . However , this effect is not as expected for couplers components and they require precise positioning on their soldering pads ; typically ± 0.25 mm .

Place the coupler onto the PCB with automatic pick and place equipment . Various types of suction can be used .

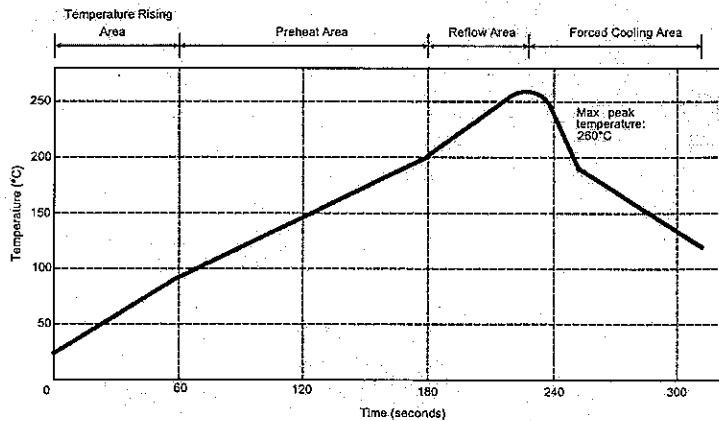
RADIALL does not recommend using adhesive agents on the component or on the PCB .

③ Soldering :



Please follow RADIALL's recommended temperature profile .

This profile can be used with Infra - red reflow , Vapor phase soldering and Forced air convection .



Parameter	Value	Unit
Temperature rising Area	1 - 4	°C/sec
Max Peak Temperature	260	°C
Max dwell time @260°C	10	sec
Min dwell time @235°C	20	sec
Max dwell time @235°C	60	sec
Temperature drop in cooling Area	-1 to - 4	°C/sec
Max dwell time above 100°C	420	sec

Issue : 0450 C

In the effort to improve our products, we reserve the right to make changes judged to be necessary.



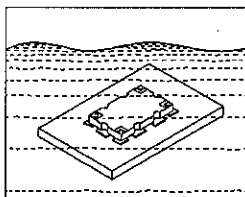
**RADIALL**®

## SMT HYBRID COUPLER

3DB / 2.3-2.7 GHZ

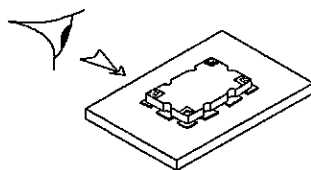
R431.111.245

Series : COUPLER

④ Cleaning of the PCB :

When using a conventional solder cream with high level of residue , please clean the PCB with a substitute product , similar to CFC , that complies to the International Environment Agency rules . It is important to do the cleaning operation step less than fifteen minutes after reflow .

RADIALL recommends using ultrasonic waves or vapor phase process .

⑤ Quality check :

Verify by visual inspection that component is centred on the mounting pads .

Solder joints : verify by visual inspection that the formation of meniscus on the pads are proper , and have a capilarity amount upper the third of the height .

Issue : 0450 C

In the effort to improve our products, we reserve the right to make changes judged to be necessary.



**RADIALL**®